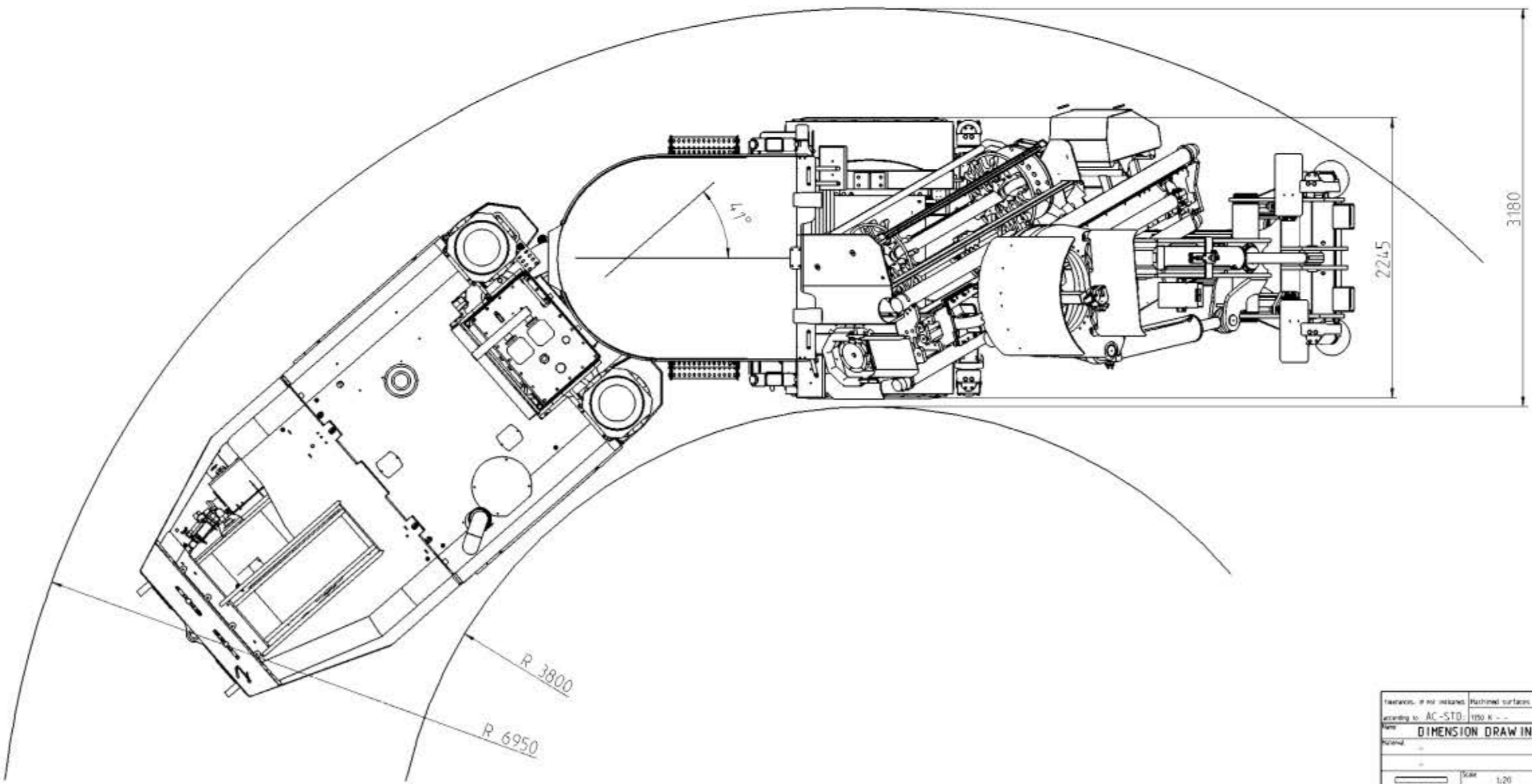
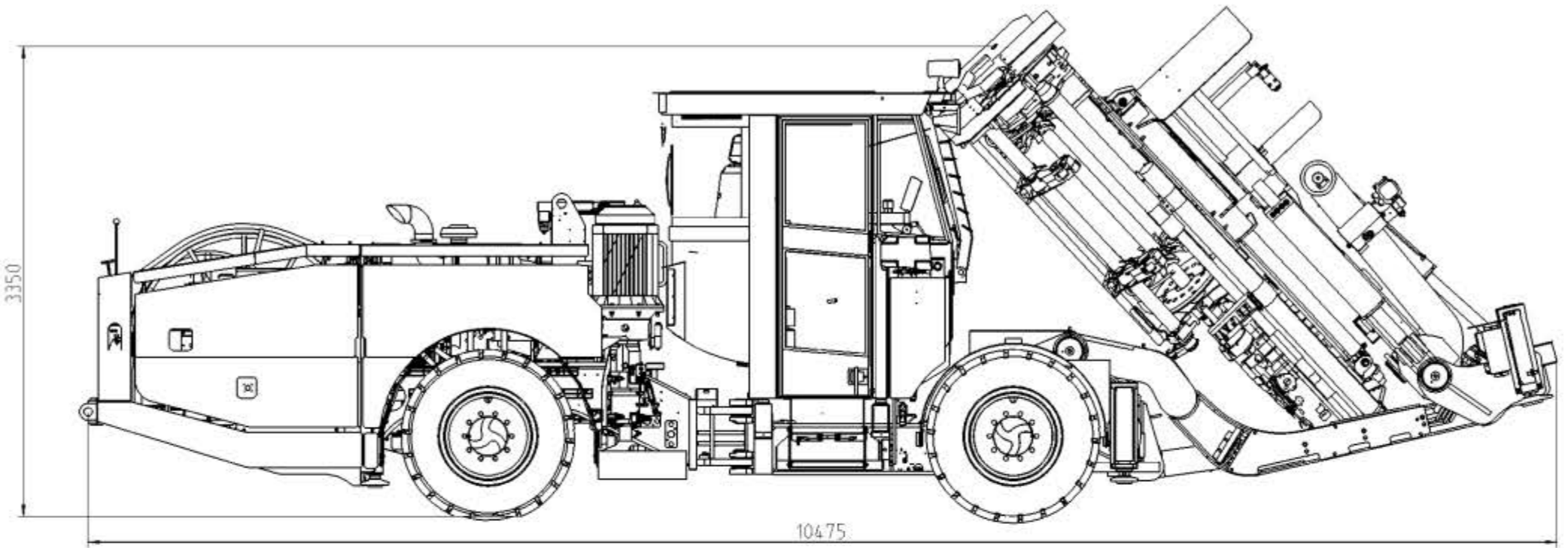


Property of Atlas Copco Bsp. 2011. All rights reserved. Use or copying of this document or any part thereof is prohibited.

Rev.	Var.	Position	Material	Date	DRK	DRK no.
1	0	-	-	-	-	-

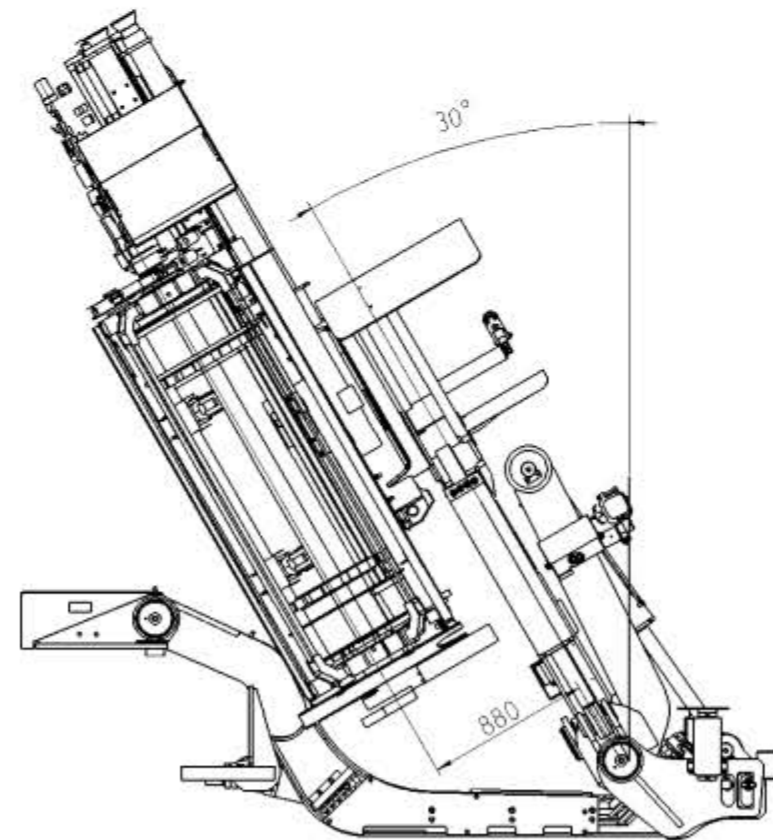
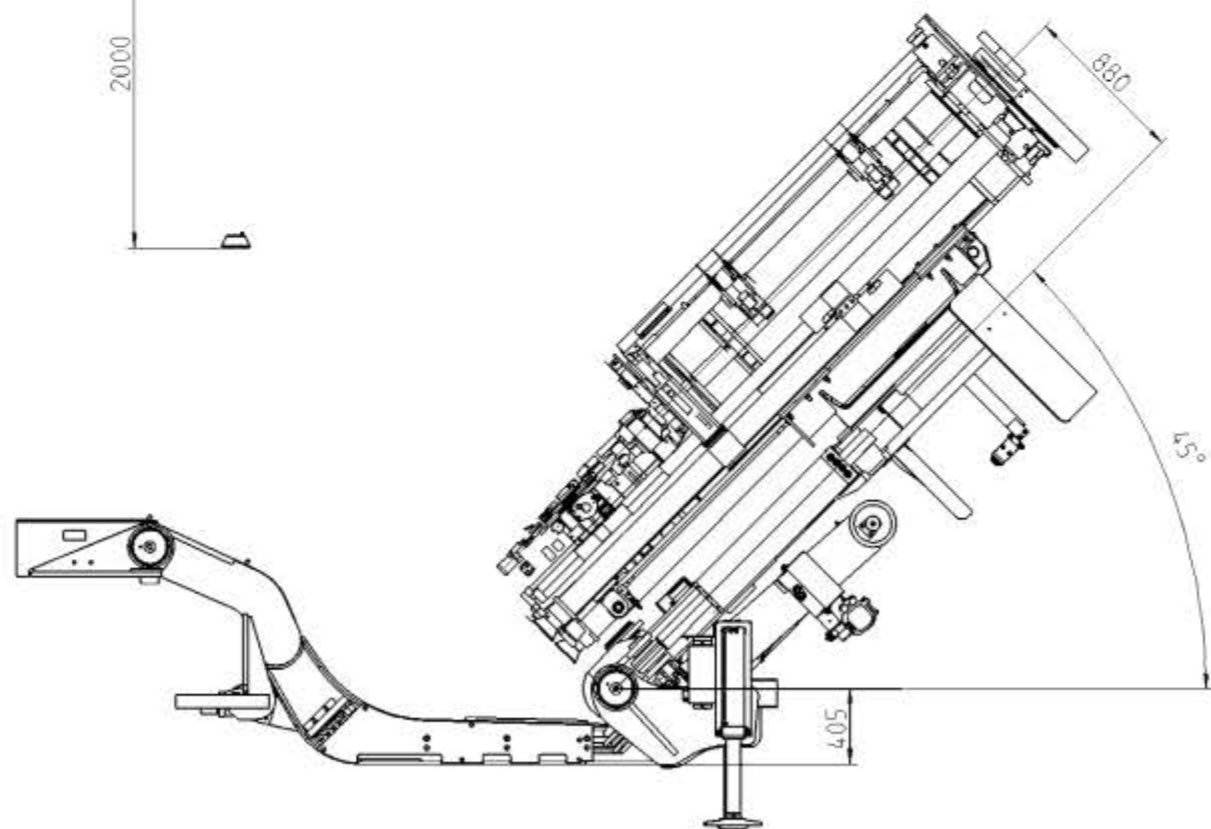
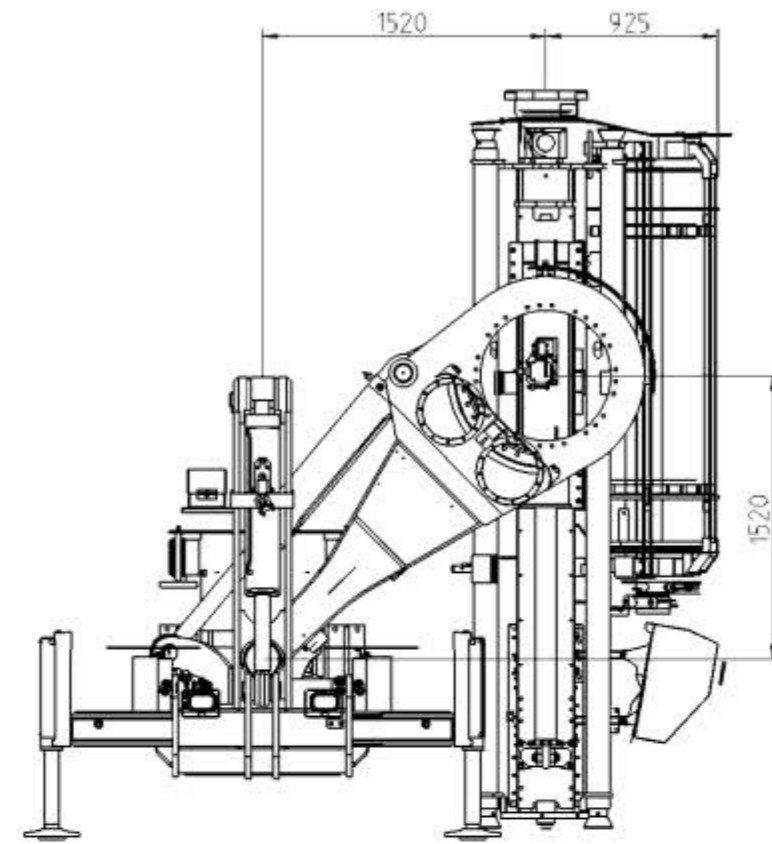
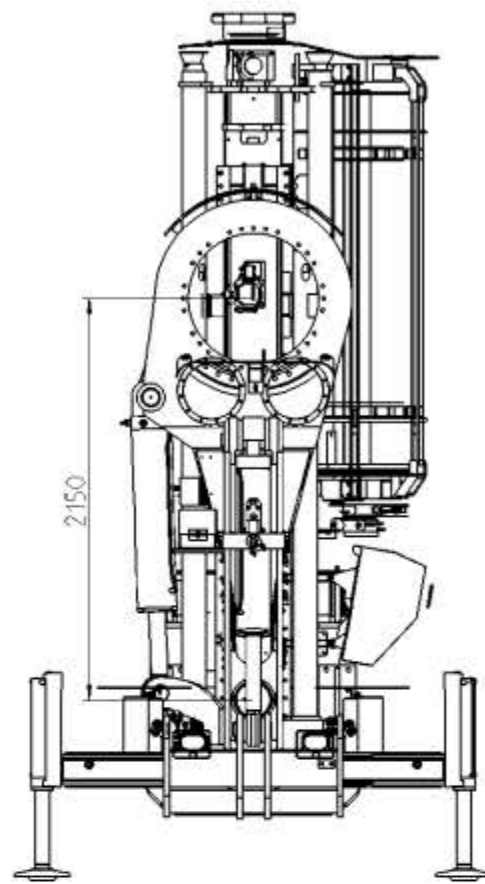
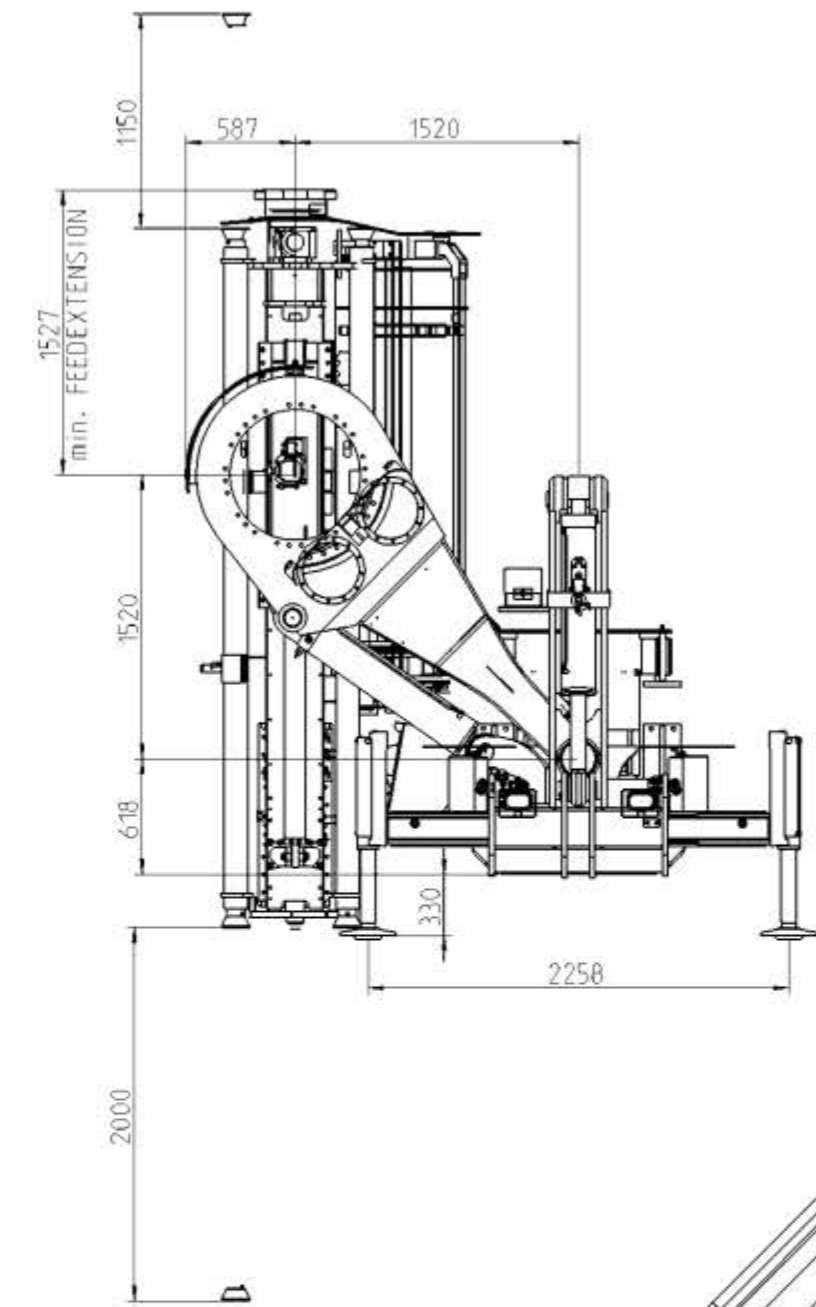
Finishes: if not specified	machined surfaces				
according to	AC-STB 199 K - -				
Name		DIMENSION DRAWING		SIMBA M8L6	
Formal				Scale 1:20	
				Drawn HK	
				Checked	
				Date 2008-04-29	
				9111300361	



Technical drawing		Drawing title	
according to AC-STO 100 K - -		SIMBA M&L6	
Name		Project	
DIMENSION DRAWING		TMG	
Scale		Date	
1:20		2008-04-29	
Author		Checked	
[Signature]		[Signature]	
Weight		Volume	
kg		m³	
Material		Drawing no.	
[Material]		9111300361	

1	0	-	-	-	-
Rev.	Ref.	Posi-	Project	Date	DR No.
			Modified Van		

Property of Alfa Romeo Group. All rights reserved. No part of this document or any part thereof is permitted to be reproduced without the written permission of Alfa Romeo Group.



Material:	Material surfaces:			
according to:	AC-STO	1150 K		
Name:	DIMENSION DRAWING		SIMBA M8L6	Sheet 1 of 1
Project:				at site 102 K7
Scale:	1:20	Unit:	mm	Project:
Drawn:	HL	Check:		Release:
Created:	HL	Drawn:		Designation:
Transferred from:		Unit:	kg	Weight:
Design No.:		Part No.:		Year:
		AVVERT:	2008-04-25	9111300361

1	1	-	-	-	-
Rev.	Ref.	Posi.	Typ.	Responsible	Date